

# THE NEW OHSIV SAFE AND STRONG

Improve productivity and ensure safe operations with the OHSIV when handling over-sized cargo, open top containers and flatracks. The Stinis OHSIV is based on more than 20 years of accumulated experience in the production and servicing of more than 350 overhead spreaders. The OHSIV comes in a fully electric and a hydraulic version. The improved version of the hydraulic OHSII and fully electric OHSIII is robust, reliable and enhanced by new technologies to support features like remote condition monitoring and troubleshooting.

- CE Certified
- In-house load tested
- Proven in the field
- Fully customizable
- Patented design
- Service programs
- Easy maintenance
- Low total cost of ownership
- Handmade

## PASSION FOR PERFECTION

It matters to us that we do things right for you. We focus on safety and efficiency to maximize value for terminal operators and shipping lines. Our expertise lets you worry about operating the quays in the confidence that your spreaders are well taken care of.



## AT YOUR SERVICE

Our dedicated specialists travel to your site to troubleshoot your equipment whenever you need them. If you prefer to let your own staff do the work, we can provide a thorough analysis and will support your technicians from afar.



## BE A PART OF OUR FAMILY

When you join Stinis as a customer, an employee or a supplier, you join our family. It means we build a long-term partnership based on trust and friendship, because our company and family reputation are inseparable.



## CONTACT



### SALES EUROPE, MIDDLE EAST AND AMERICAS

Stinis Holland B.V.  
Dorpsstraat 130  
2931 AG Krimpen aan de Lek  
The Netherlands

sales@stinis.com  
+31 (0) 180 514 655

### SALES ASIA PACIFIC AND AFRICA

Stinis Asia Pacific  
2 Venture Drive  
#10-09 Vision Exchange  
Singapore 608526

sales@stinis.com.sg  
+65 (0) 6862 4855

Find out more on:

[www.stinis.com](http://www.stinis.com)



# OVERHEIGHT SPREADERS



[www.stinis.com](http://www.stinis.com)



# OVERVIEW



OHSIV	
Spreader type	fixed (20' or 40') or telescopic
Twistlock drive	electrical or hydraulic
Capacity	SWL 50t
WEIGHT	
Weight fixed 20'	approx. 2.500 kg (depending on options)
Weight fixed 40'	approx. 3.150 kg (depending on options)
Weight telescopic 20' - 45'	approx. 3.200 kg (depending on options)
TWISTLOCKS	
Twistlock type	Stinis double collar ISO twistlocks
Landing pins	8 (standard)
TWISTLOCK DRIVE	
Electric twistlock torque	±190 Nm (lock and unlock)
Electric twistlock lock/unlock time	< 3 seconds
Hydraulic twistlock torque	± 690 Nm (lock) / 1130 Nm (unlock)
Hydraulic twistlock lock/unlock time	< 1,5 seconds
ENERGY	
Solar panels	4 with a capacity of 12Vdc / 55W each
Batteries	4 with a capacity of 12Vdc / 38Ah each
Battery capacity	approx. 500 moves
Battery charging points	1 (standard) or 2 (optional)
OPERATOR INFORMATION	
Information displays	1 (standard) or 2 (optional)
Remote monitoring	optional
Safety LED lights	2 sets of 4 LED lights (standard) 2 sets of 12 LED lights (optional)
Battery charging LED light	1 (standard)
Acoustic alarm	1 (optional)

# FEATURES

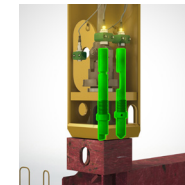


## UNIVERSAL & AUTOMATIC

The OHSIV operates with any brand spreader without any mechanical modifications. The twistlocks of the main crane spreader connect to the overhead attachment. This process does not require any intervention from ground personnel.

## DOUBLE LANDING PIN SET-UP

Each twistlock has two landing pins. All 8 landing pins need to be 'pressed' / 'activated' before the crane driver can lock/unlock the overhead spreader twistlocks and hoist the equipment.



## TWISTLOCK DRIVE

The twistlocks of the OHSIV can be actuated using an electric motor or a hydraulic cylinder. The hydraulic version comes with higher twistlock power and a faster twistlock lock/unlock time.

## INFORMATION DISPLAY

The OHSIV can be equipped with one (standard) or two (optional) information displays on the inside of the legs. The display shows the battery status, twistlock operation count, operation time and oil pressure.



## REMOTE MONITORING

The information on the display can be accessed through remote monitoring on any mobile device. This includes battery status, twistlock operation count, operation time and oil pressure.

## REDUNDANT ENERGY SYSTEM

If one solar panel is damaged, the other panels will continue to generate sufficient energy and charge the batteries. If one of the batteries is damaged, the other batteries will still deliver energy to the control system and motor drives.



## SERVICE & MAINTENANCE



## SPARE PARTS

Your Stinis spreaders come with a unique spare parts catalogue to quickly identify and order the correct part. With warehouses in all major regions, we provide you with the fastest possible response.



## OVERHEIGHT CONFIGURATION



## REMOVABLE LINKING BEAM

A linking beam is mounted between the legs of the OHSIV spreader to protect the legs. The linking beams are either connected with bolts or quick release pins.



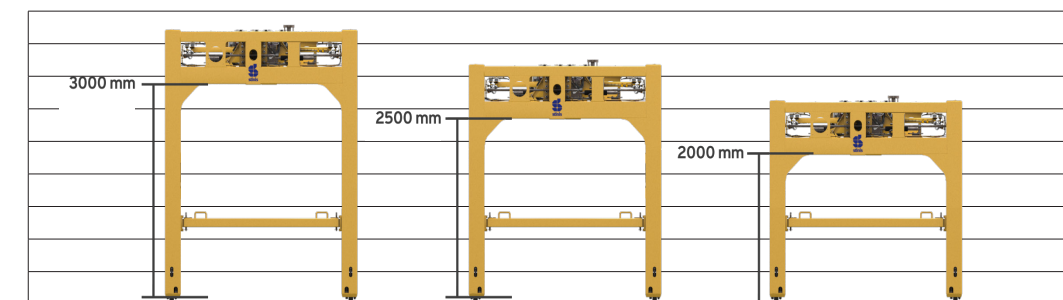
## EXTENDABLE WINGLETS

There is a possibility to adjust the winglets from 200 mm to 400 mm with the extendable winglets. This will help you land your spreader more accurate on the overheights corner castings.



## DIRECT TWISTLOCK DETECTION

As standard the OHSIV is equipped with twistlock lock/unlock detection on the twistlock drive and the twistlock. This will reduce the chance of sending faulty information to the crane driver in case a drive shaft bends or breaks.



## FRAME HEIGHT SIZES

The OHSIV comes in three standard frame sizes. Additional frame height sizes are available at the customer's request.